



YAGI 4 ELEMENTS VHF ANTENNA

R-Y 413 NH, 147 ÷ 167 MHz

R-4.06.040.01

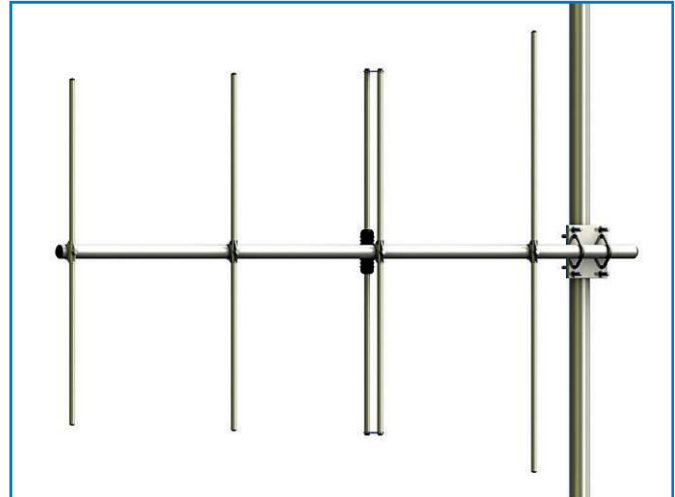
POLOMARCONI.IT

POLOMARCONI offers a very wide range of wireless products. Our products can be tailored according to the customer's need.

PMR

Electrical Specifications

Frequency band (MHz)	147 ÷ 167
Impedance (Ω)	50
VSWR at resonant frequency	< 1.5:1
Continuous Max. Power (W)	150
Polarization	vertical or horizontal
Gain (dBd)	7
HPBW ($^{\circ}$) - E-plane	60
HPBW ($^{\circ}$) - H-plane	84
Front to back Ratio (dBd)	> 17
Operating Temp. Range ($^{\circ}$ C)	-35 ÷ +80



DESCRIPTION

Yagi 4 elements antenna for VHF band.
All parts of the antenna are DC grounded from lightning protection.

Mechanical Specifications

Connector	N f	
Dimensions (mm)	980 x 1515	
Weight (kg)	3.2	
Max. wind velocity (km/h)	160	
Materials	boom	Aluminum alloy DIN 3.2315
	elements	Aluminum alloy DIN 3.2306
Mounting hole (mm)	33 + 60	

Radiation Patterns

