



YAGI 8 ELEMENTS UHF ANTENNA

R-Y 810 NL, 345 ÷ 365 MHz

R-4.06.037.01

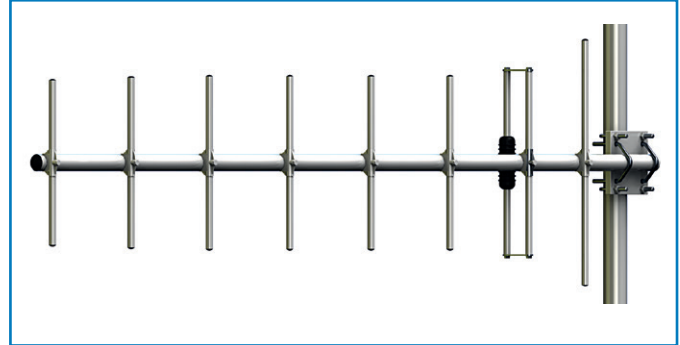
POLOMARCONI.IT

POLOMARCONI offers a very wide range of wireless products. Our products can be tailored according to the customer's need.

PMR

Electrical Specifications

Frequency band (MHz)	345 ÷ 365
Impedance (Ω)	50
VSWR at resonant frequency	< 1.5:1
Continuous Max. Power (W)	150
Polarization	vertical or horizontal
Gain (dBd)	9
HPBW ($^{\circ}$) - E-plane	42
HPBW ($^{\circ}$) - H-plane	47
Front to back Ratio (dBd)	> 20
Operating Temp. Range ($^{\circ}\text{C}$)	-35 ÷ +80



DESCRIPTION

Yagi 8 elements antenna for UHF band.
All parts of the antenna are DC grounded from lightning protection.

Mechanical Specifications

Connector	N f	
Dimensions (mm)	460 x 1650	
Weight (kg)	2.4	
Max. wind velocity (km/h)	160	
Materials	boom	Aluminum alloy DIN 3.2315
	elements	Aluminum alloy DIN 3.2306
Mounting hole (mm)	33 ÷ 60	

Radiation Patterns

