



WIDEBAND HALF WAVE DIPOLE ANTENNA

R-Y 010 NL, 230 ÷ 280 MHz

R-4.06.026.01

POLOMARCONI.IT

POLOMARCONI offers a very wide range of wireless products. Our products can be tailored according to the customer's need.

PMR

Electrical Specifications

Frequency band (MHz)	230 ÷ 280
Impedance (Ω)	50
VSWR	< 1.5:1
Continuous Max. Power (W)	150
Polarization	vertical or horizontal
Gain (dBd)	1
Beamwidth -3 dB	74°
Operating Temp. Range (°C)	-35 ÷ +80

DESCRIPTION

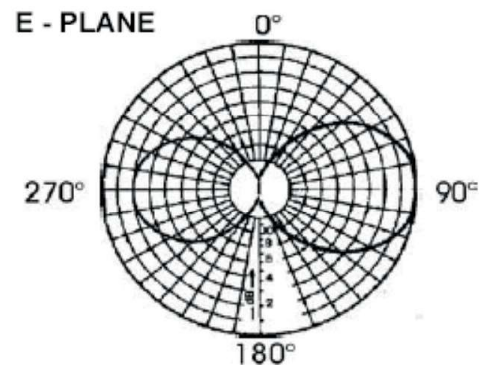
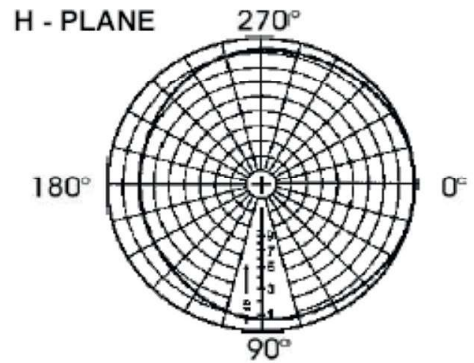
Light weight wideband half wave dipole.
All parts of the antenna are grounded.
With DS grounded lighting protection.



Mechanical Specifications

Connector	N f
Dimensions (Height x Width, mm)	600 x 500
Weight (kg)	2.1
Max. wind velocity (km/h)	160
Materials	
Boom	Aluminum alloy DIN 3.2315
Elements	Aluminum alloy DIN 3.2306
Mounting	on master tube with diameter 33 ÷ 60 mm

Radiation Patterns



VSWR

