



YAGI 2 ELEMENTS VHF ANTENNA

R-Y 210 NE, 68 ÷ 80 MHz

R-4.06.023.01

POLOMARCONI.IT

POLOMARCONI offers a very wide range of wireless products. Our products can be tailored according to the customer's need.

PMR

Electrical Specifications

Frequency band (MHz)	68 ÷ 80
Impedance (Ω)	50
VSWR	$\leq 1,5:1$
Continuous Max. Power (W)	150
Polarization	vertical or horizontal
Gain	
(dB over 1/2 dipole)	3
(dBi)	5
HPBW ($^\circ$) - H-plane	150
HPBW ($^\circ$) - E-plane	72
Front-to-back ratio (dB)	> 9
Lightning protection	DC grounded
Operating Temp. Range ($^\circ\text{C}$)	-35 ÷ +80

DESCRIPTION

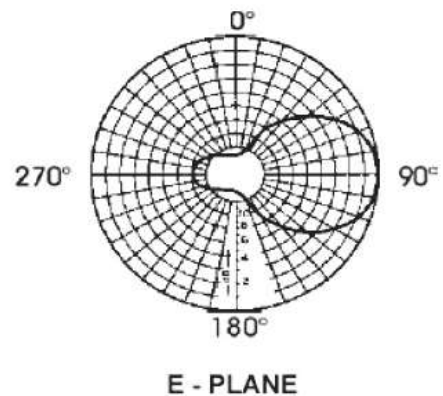
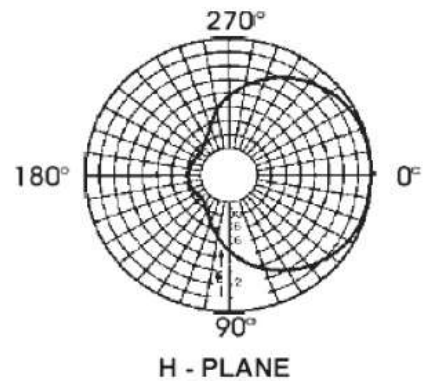
Yagi 2 elements antenna for VHF band. All parts of the antenna are DC grounded for lightning protection.



Mechanical Specifications

Connector	N f
Dimensions (Height x Width, mm)	2230 x 1515
Weight (kg)	3.8
Max. wind velocity (km/h)	160
Materials	
boom elements	Aluminum alloy DIN 3.2315 Aluminum alloy DIN 3.2306
Mounting	on master tube with diameter 33 ÷ 60 mm

Radiation Patterns



VSWR curve

