



# UHF OMNIDIRECTIONAL ANTENNA

R-Y 012 NQ, 400 ÷ 512 MHz

R-4.06.016.01

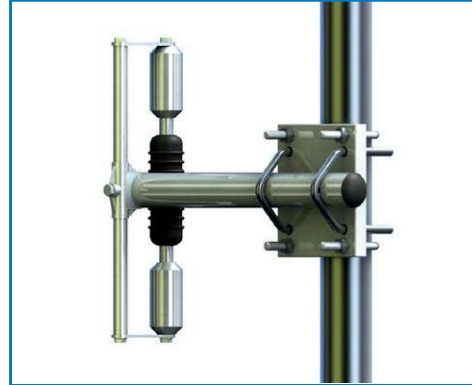
POLOMARCONI.IT

POLOMARCONI offers a very wide range of wireless products. Our products can be tailored according to the customer's need.

PMR

## Electrical Specifications

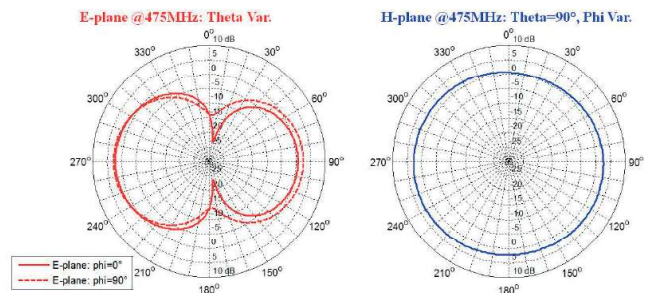
Frequency band (MHz)	400 ÷ 512
Input impedance ( $\Omega$ )	50
VSWR	< 2.0:1
Continuous Max. Power (W)	150
Polarization	vertical
Gain (dBi)	3
HPBW ( $^\circ$ ) - E-plane	89.9 $^\circ$ for $\phi=0^\circ$ and 76.9 $^\circ$ for $\phi=90^\circ$ @ 475 MHz
HPBW ( $^\circ$ ) - H-plane	omni
Lightning protection	DC grounded
Operating Temp. Range ( $^\circ\text{C}$ )	-35 ÷ +80



## Mechanical Specifications

Connector	N f
Dimensions (mm)	280 x 315
Weight (kg)	1.8
Maximum wind velocity (km/h)	160
Materials	boom Aluminum alloy DIN 3.2315 elements Aluminum alloy DIN 3.2306
Mounting mast tube $\varnothing$ (mm)	30 ÷ 60

## Radiation Patterns



## Mounting Instructions

