



YAGI 3 ELEMENTS UHF ANTENNA

R-Y 310 NQ, 400 ÷ 470 MHz

R-4.06.015.01

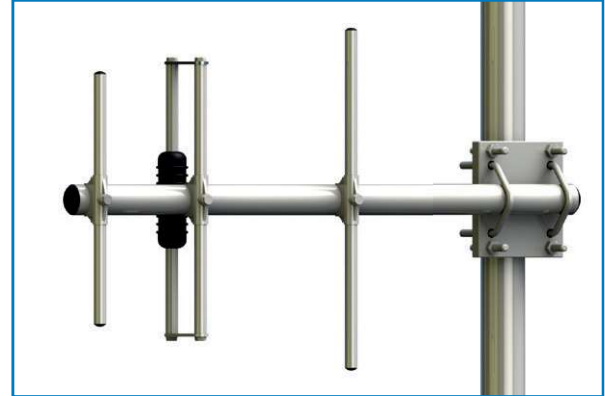
POLOMARCONI.IT

POLOMARCONI offers a very wide range of wireless products. Our products can be tailored according to the customer's need.

PMR

Electrical Specifications

Frequency band (MHz)	400 ÷ 470
Impedance (Ω)	50
VSWR at resonant frequency	< 1.5:1
Continuous Max. Power (W)	150
Polarization	vertical or horizontal
Gain (dBd)	5
HPBW ($^{\circ}$) - E-plane	68
HPBW ($^{\circ}$) - H-plane	116
Front to back Ratio (dBd)	> 16
Operating Temp. Range ($^{\circ}\text{C}$)	-35 ÷ +80



DESCRIPTION

Yagi 3 elements antenna for UHF band.

All parts of the antenna are DC grounded from lightning protection.

Mechanical Specifications

Connector	N f
Dimensions (mm)	360 x 615
Weight (kg)	2.0
Max. wind velocity (km/h)	160
Materials	
boom	Aluminum alloy DIN 3.2315
elements	Aluminum alloy DIN 3.2306
Mounting hole (mm)	33 ÷ 60

Radiation Patterns

