



HALF WAVE CENTER FED DIPOLE UHF ANTENNA

R-Y 010 NQ, 400 ÷ 470 MHz

R-4.06.014.01

POLOMARCONI.IT

POLOMARCONI offers a very wide range of wireless products. Our products can be tailored according to the customer's need.

PMR

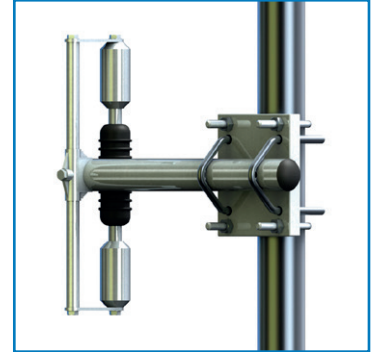
Electrical Specifications

Frequency band (MHz)	400 ÷ 470
Impedance (Ω)	50
VSWR at resonant frequency	< 1.5:1
Continuous Max. Power (W)	150
Polarization	vertical or horizontal
Gain (dBi)	3
HPBW ($^\circ$) - E-plane	74
HPBW ($^\circ$) - H-plane	Omn
Operating Temp. Range ($^\circ\text{C}$)	-35 ÷ +80

DESCRIPTION

Half wave center fed dipole antenna for UHF band.

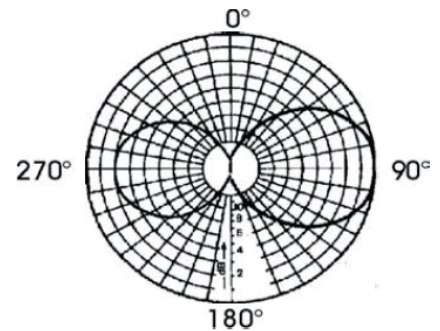
All parts of the antenna are DC grounded from lightning protection.



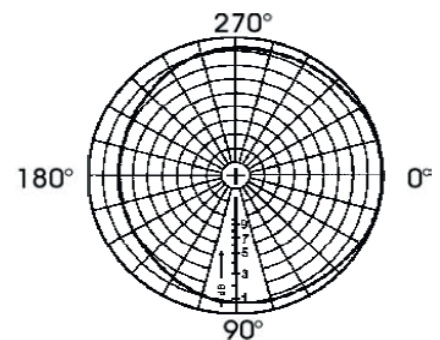
Mechanical Specifications

Connector	N f	
Dimensions (mm)	280 x 315	
Weight (kg)	1.8	
Max. wind velocity (km/h)	160	
Materials	boom elements	Aluminum alloy DIN 3.2315 Aluminum alloy DIN 3.2306
Mounting hole (mm) on master tube	33 ÷ 60	

Radiation Patterns



E - PLANE



H - PLANE