



# YAGI 6 ELEMENTS VHF ANTENNA

R-Y 610 NH, 164 ÷ 174 MHz

R-4.06.012.01

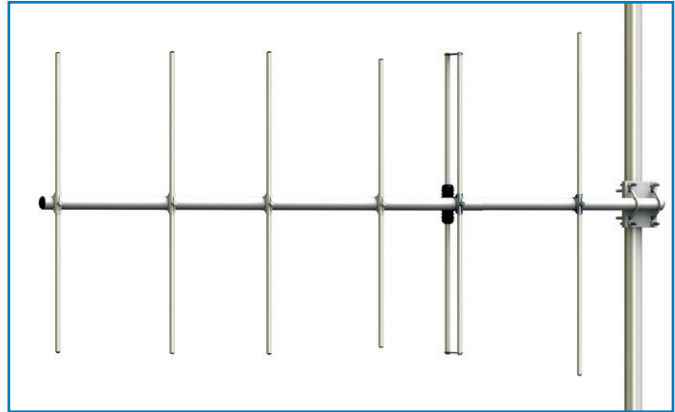
POLOMARCONI.IT

POLOMARCONI offers a very wide range of wireless products. Our products can be tailored according to the customer's need.

PMR

## Electrical Specifications

Frequency range (MHz)	164 ÷ 174
Impedance ( $\Omega$ )	50
VSWR	< 1.5:1
Continuous Max. Power (W)	150
Polarization	vertical or horizontal
Gain (dBd)	8
HPBW ( $^{\circ}$ ) - E-plane	52 $^{\circ}$
HPBW ( $^{\circ}$ ) - H-plane	64 $^{\circ}$
Front to Back Ratio (dB)	> 19
Operating Temp. Range ( $^{\circ}$ C)	-35 ÷ +80



## DESCRIPTION

Yagi 6 elements antenna for VHF band.  
All parts of the antenna are DC grounded from lightning protection.

## Mechanical Specifications

Connector	Nf	
Dimensions (mm)	880 x 1805	
Weight (kg)	abt. 3.7	
Max. wind velocity (km/h)	160	
Materials	boom elements	aluminum alloy DIN 3.2315 aluminum alloy DIN 3.2306
Mounting Pole Diameter (mm)	33 ÷ 60	

## Radiation Patterns

