



YAGI 6 ELEMENTS VHF ANTENNA

R-Y 610 NG, 146 ÷ 156 MHz

R-4.06.011.01

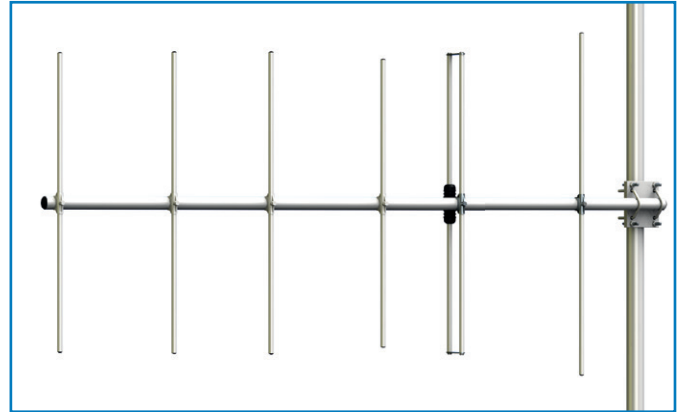
POLOMARCONI.IT

POLOMARCONI offers a very wide range of wireless products. Our products can be tailored according to the customer's need.

PMR

Electrical Specifications

Frequency band (MHz)	146 ÷ 156
Impedance (Ω)	50
VSWR at resonant frequency	< 1.5:1
Continuous Max. Power (W)	150
Polarization	vertical or horizontal
Gain (dBd)	8
HPBW ($^\circ$) - E-plane	54
HPBW ($^\circ$) - H-plane	72
Front to back Ratio (dBd)	> 23
Operating Temp. Range ($^\circ\text{C}$)	-35 ÷ +80



DESCRIPTION

Yagi 6 elements antenna for VHF band.
All parts of the antenna are DC grounded from lightning protection.

Mechanical Specifications

Connector	N f
Dimensions (mm)	990 x 1915
Weight (kg)	3.9
Max. wind velocity (km/h)	160
Materials	
boom	Aluminum alloy DIN 3.2315
elements	Aluminum alloy DIN 3.2306
Mounting mast tube \varnothing (mm)	33 ÷ 60

Radiation Patterns

