



# HALF WAVE DIPOLE UHF ANTENNA

R-F 530 NQ, 400 ÷ 435 MHz

R-4.05.028.01

POLOMARCONI.IT

POLOMARCONI offers a very wide range of wireless products. Our products can be tailored according to the customer's need.

PMR

## Electrical Specifications

Type	Half Wave Vertical Dipole
Frequency band (MHz)	400 ÷ 435
Input impedance (Ω)	50
VSWR	< 1.7:1
Continuous Max. Power (W)	150
Polarization	vertical
Gain (dBd)	5
HPBW (°) - E-plane	18
HPBW (°) - H-plane	Omni
Lightning protection	DC grounded
Operating Temp. Range (°C)	-35 ÷ +80

## Mechanical Specifications

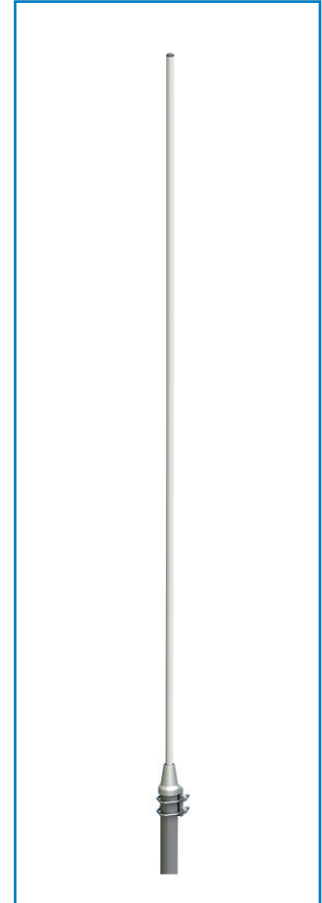
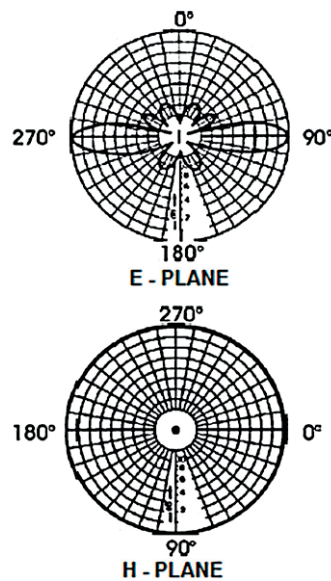
Connector	N f
Length (mm)	2210
Weight (kg)	1.9
Max. wind velocity (km/h)	180
Materials	
Clamps	stainless steel
Mounting bracket	Surtec Coated aluminium
Radiator coverage	Fiberglass
Elements	Brass passivated
Mounting master tube diameter (mm)	28 ÷ 60

## DESCRIPTION

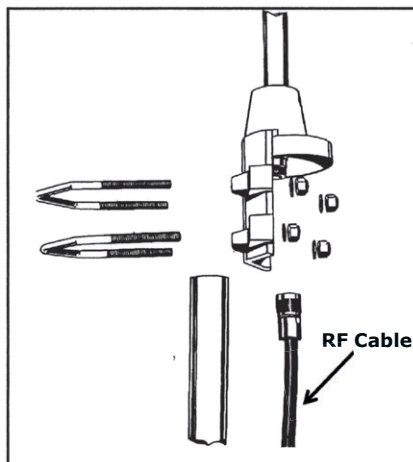
Half wave vertical dipole antenna for UHF band.

All parts of the antenna are DC grounded from lightning protection.

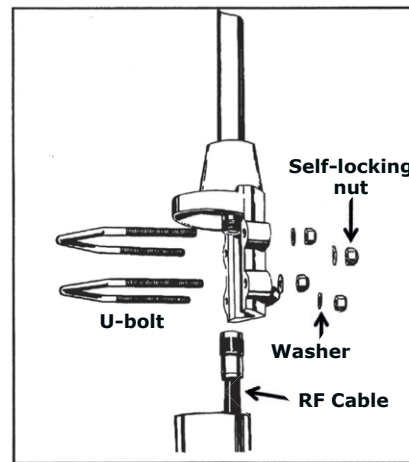
## Radiation Patterns



## Mounting Instructions



RF antenna cable connection outside the mounting master tube



RF antenna cable connection inside the mounting master tube