



HALF WAVE DIPOLE VHF ANTENNA

R-F 331 NH, 158 ÷ 174 MHz

R-4.05.002.05

POLOMARCONI.IT

POLOMARCONI offers a very wide range of wireless products. Our products can be tailored according to the customer's need.

PMR

Electrical Specifications

Type	Half Wave Vertical Dipole
Frequency range (MHz)	158 ÷ 174
Input Impedance (Ω)	50
VSWR at resonant frequency	<1.5:1
Continuous Max. Power (W)	100
Polarization	vertical
Gain (dBd)	4
HPBW ($^{\circ}$) - E-plane	21
HPBW ($^{\circ}$) - H-plane	Omni
Operating Temp. Range ($^{\circ}\text{C}$)	-35 ÷ +80

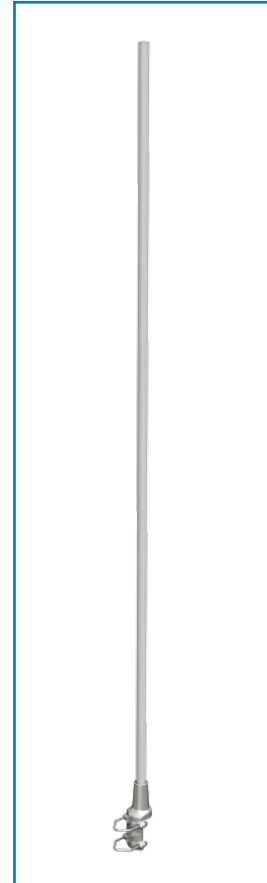
Mechanical Specifications

Connector	N f
Length (mm)	2450
Weight (kg)	2.4
Max.wind velocity (km/h)	160
Materials	radiator coverage fiberglass elements brass passivated
Mounting pole (mm)	\varnothing 33 ÷ 60

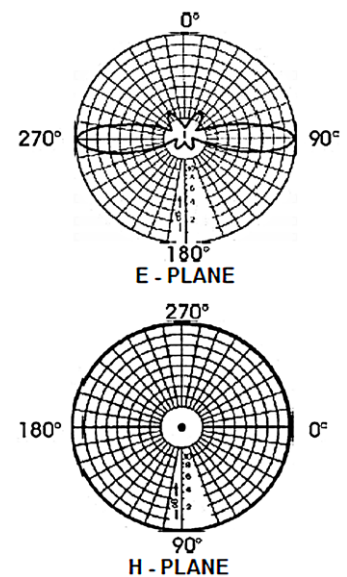
DESCRIPTION

Half wave vertical dipole antenna for VHF band.

All parts of the antenna are DC grounded from lightning protection.



Radiation Patterns



VSWR

