



LOW SILHOUETTE VEHICULAR VHF ANTENNA

152 ÷ 157 MHz

R-4.02.084.01
R-V 030 NH-A

POLOMARCONI.IT

POLOMARCONI offers a very wide range of wireless products.
Our products can be tailored according to the customer's need.

TRANSPORT

Electrical Specifications

Frequency band (MHz)	152 ÷ 157
Input impedance (Ω)	50
VSWR	< 1.7:1
Continuous Max. Power (W)	100
Polarization	Vertical
Gain (dBi)	> 1
Operating Temp. Range (°C)	-40 ÷ +80



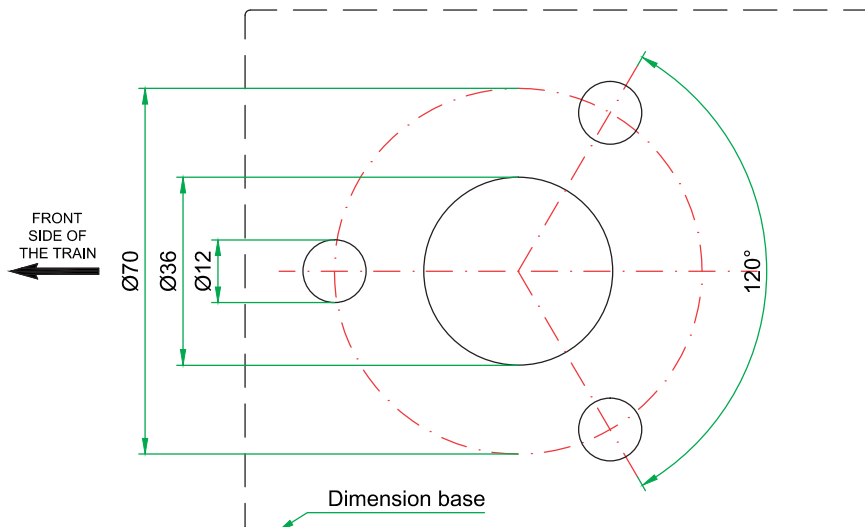
Mechanical Specifications

Connector	N female
Dimensions (mm)	115 x 160 x 417 mm
Materials	Aluminium alloy DIN 3.2315 Polycarbonate
base	Aluminium alloy DIN 3.2315
radome	Polycarbonate
Mounting hole	In conformity with FEDERTRASPORTI 00104/5

DESCRIPTION

Extra short omnidirectional antenna for tramways, buses, trains and ferryboat. Shock resistant, mechanical rugged construction. With DC grounded high voltage protection.

MOUNTING FLANGE





LOW SILHOUETTE VEHICULAR VHF ANTENNA

152 ÷ 157 MHz

R-4.02.084.01
R-V 030 NH-A

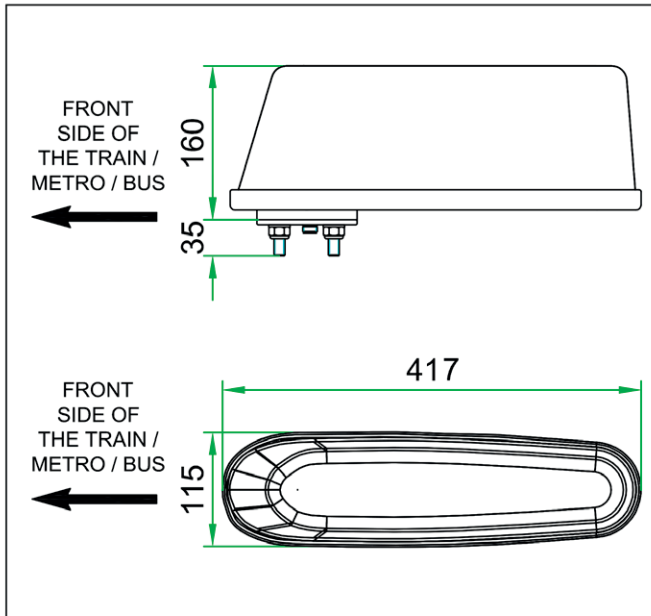
POLOMARCONI.IT

POLOMARCONI offers a very wide range of wireless products.
Our products can be tailored according to the customer's need.

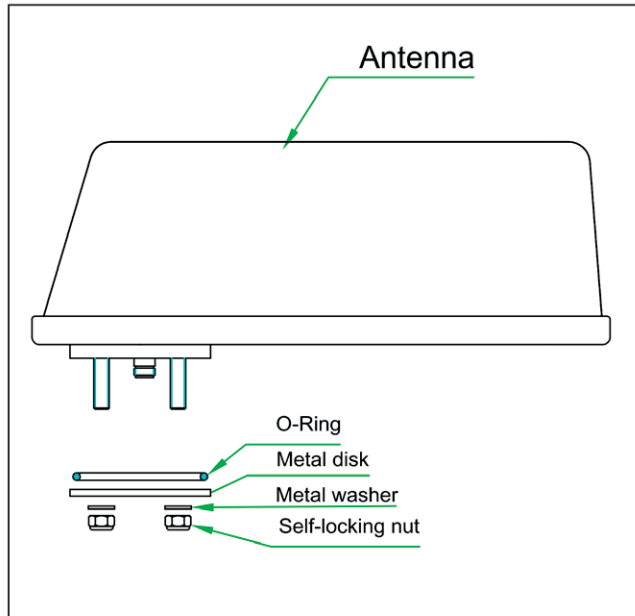
TRANSPORT

MOUNTING INSTRUCTIONS

GENERAL DIMENSIONS



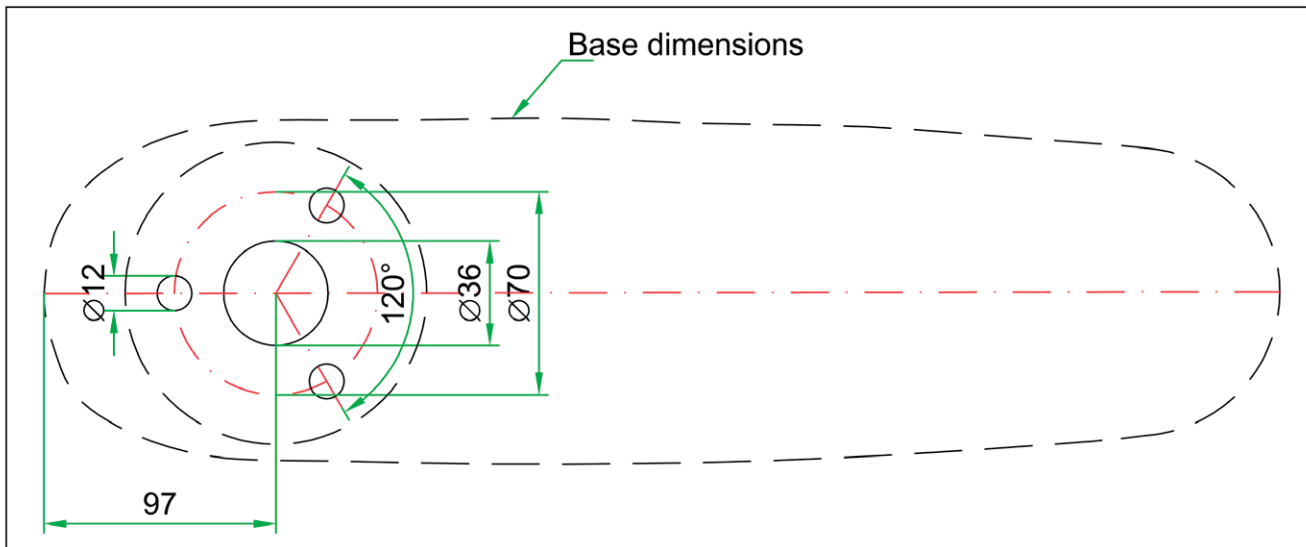
EXPLODED VIEW



MANUAL OF USE

- 1) For the use of the antenna on glass-reinforced plastic surfaces or however on non metallic surfaces, making sure, that the antenna is mounted at the center of a conductive surface (metallic) of minimum dimensions 1500x1500 mm.
- 2) For an optimal connection of the antenna with the conductive surface (metallic), before the assembly, strip the zones of contact between surface of antenna's installation and nuts and bolts of implantation.
- 3) Recommended M10 screw torque 15 Nm - 20 Nm.

PERFORATION MASK (according to FEDERTRASPORTI 00104/5)



All dimensions are in mm.