



# MONO BAND GSM-R ANTENNA

870 ÷ 960 MHz

MGI-K

POLOMARCONI.IT

POLOMARCONI offers a very wide range of wireless products. Our products can be tailored according to the customer's need.

TRANSPORT

## Electrical Specifications

Frequency band (MHz)	870 ÷ 960
Impedance ( $\Omega$ )	50
VSWR	< 1.7:1
Continuous Max. Power (W)	30
Polarization	vertical
Gain (dB) over $\lambda/4$ monopole antenna	0
Operating Temp. Range ( $^{\circ}\text{C}$ )	-40 ÷ +70

## Mechanical Specifications

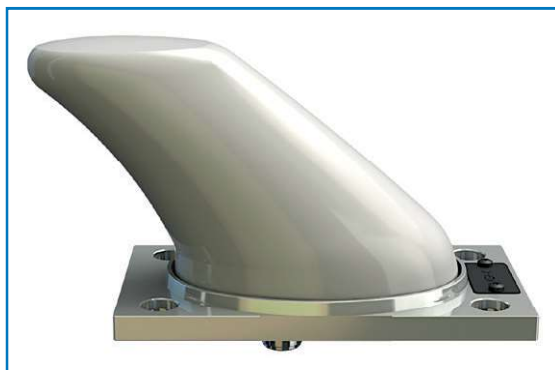
Connectors	N f
Dimensions (Height from installation surface x Width x Depth, mm)	98x80x145
Weight (kg)	0.5
Materials	Base Aluminium with SURTEC 650 galvanic treatment Radome High impact polycarbonate Connectors Silver plated brass
Mounting	at the center of a metallic conductive surface with minimum size of 250x250mm



Patent n° 1548873

Antenna for train with protective means against high voltages.

Patent has been used by SNCF and by the most important producers of trains.



## Environmental Specifications

### CLIMATIC CONDITIONS according to EN 50155:2017 and EN 60068

Operating Temperature ( $^{\circ}$ )	-40 ÷ +70
Storage Temperature ( $^{\circ}$ )	-40 ÷ +70

### MECHANICAL CONDITIONS according to EN 50155:2017 and EN 61373

#### HIGH VOLTAGE PROTECTION according to EN 50124-1

#### HIGH CURRENT PROTECTION according to EN 50153, UIC 758, UIC 533, EN 50388 and EN 50123

Short-circuit currents flow / time before breaking	40 kA / 100 ms (DC) 15 kA / 100 ms (AC)
--	--

#### FLAMMABILITY RATING according to EN 45545-2:2013+A1:2015

IP 67

RoHS 2011/65/EU compliant

## MOUNTING FLANGE

Mounting: for the optimal performance we suggest at the center of a metallic conductive surface with minimum size of 250x250mm; for different ground plane dimensions see page 2; it's advisable to keep the mounting surface clean and free from paint for an optimal electrical contact.

Mounting flange holes are indicated in the relevant mounting instruction document.

**Grounding and high voltage protection:** Our antennas have passed the strict SNCF's tests that approved our products as protected against lightning and high-tension voltage thanks to our patented DC and AC grounded system.

**Approved by:** SNCF, SNCB, TRENITALIA



# MONO BAND GSM-R ANTENNA

870 ÷ 960 MHz

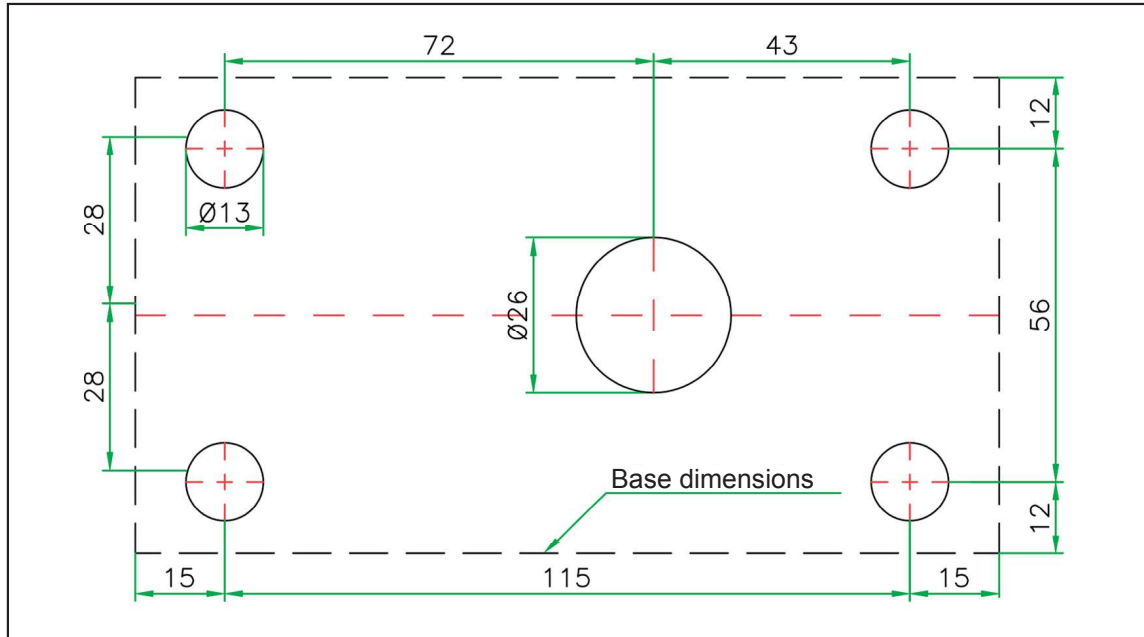
MGI-K

POLOMARCONI.IT

POLOMARCONI offers a very wide range of wireless products.  
Our products can be tailored according to the customer's need.

TRANSPORT

## DRILLING MASK



All dimensions are in mm