



DUAL BAND UHF-GSM-R ANTENNA

440 ÷ 470 MHz, 870 ÷ 960 MHz

BRGD-R

POLOMARCONI.IT

POLOMARCONI offers a very wide range of wireless products. Our products can be tailored according to the customer's need.

TRANSPORT

Electrical Specifications

UHF BAND

Frequency band (MHz)	440 ÷ 470
VSWR	< 1.7:1
Gain (dBi)	3.4

GSM-R BAND

Frequency band (MHz)	870 ÷ 960
VSWR	< 1.5:1
Gain (dBi)	5.4

UHF AND GSM-R BANDS COMMON DATA

Impedance (Ω)	50
Continuous Max. Composite Power (W)	30
Polarization	linear vertical
Operating Temp. Range ($^{\circ}$ C)	-40 ÷ + 70

NOTE: the above electrical values (VSWR and Gain) are referred to the antenna mounted at the center of 1000x1000 mm metallic ground plane

Mechanical Specifications

Connector	N f						
Dimensions (Height from installation surface x Width x Depth, mm)	140 x 80 x 145						
Weight (kg)	0.5						
Materials	<table border="0"> <tr> <td>base</td> <td>Aluminum with SURTEC 650 galvanic treatment</td> </tr> <tr> <td>radome</td> <td>High impact polycarbonate</td> </tr> <tr> <td>connector</td> <td>Silver plated brass</td> </tr> </table>	base	Aluminum with SURTEC 650 galvanic treatment	radome	High impact polycarbonate	connector	Silver plated brass
base	Aluminum with SURTEC 650 galvanic treatment						
radome	High impact polycarbonate						
connector	Silver plated brass						

Mounting To guarantee electrical performances at the center of a metallic conductive surface of 1000x1000 mm. Minimum size suggested 500x500 mm



Patent n° 1548873

Antenna for train with protective means against high voltages.

Patent has been used by SNCF and by the most important producers of trains.



Environmental Specifications

ATMOSPHERIC and CLIMATIC CONDITIONS according to EN 50155 and EN 60068

MECHANICAL CONDITIONS according to EN 50155

EMC according to EN 50121-3-2

HIGH VOLTAGE PROTECTION according to EN 50153 and EN 50124-1

DC GROUNDING, HIGH CURRENT PROTECTION according to EN 50153, UIC 758, UIC 533, EN 50388 and EN 50123

Short-circuit currents flow / time before breaking	70 kA / 5 ms – 40 kA / 100 ms (DC) 31.5 kA / 10 ms – 15 kA / 100 ms (AC)
--	---

RoHS 2011/65/EU compliant

FLAMMABILITY RATING according to EN 45545-2

IP rating	IP67
------------------	-------------

MOUNTING FLANGE

Mounting: it's advisable to keep the mounting metallic conductive surface clean and free from paint for an optimal electrical contact.

Mounting flange holes are indicated in the relevant mounting instruction document.

Grounding and high voltage protection: Our antennas have passed the strict SNCF's tests that approved our products as protected against lightning and high-tension voltage thanks to our patented DC and AC grounded system.

Approved by: SNCF, SNCB, TRENITALIA



DUAL BAND UHF-GSM-R ANTENNA

440 ÷ 470 MHz, 870 ÷ 960 MHz

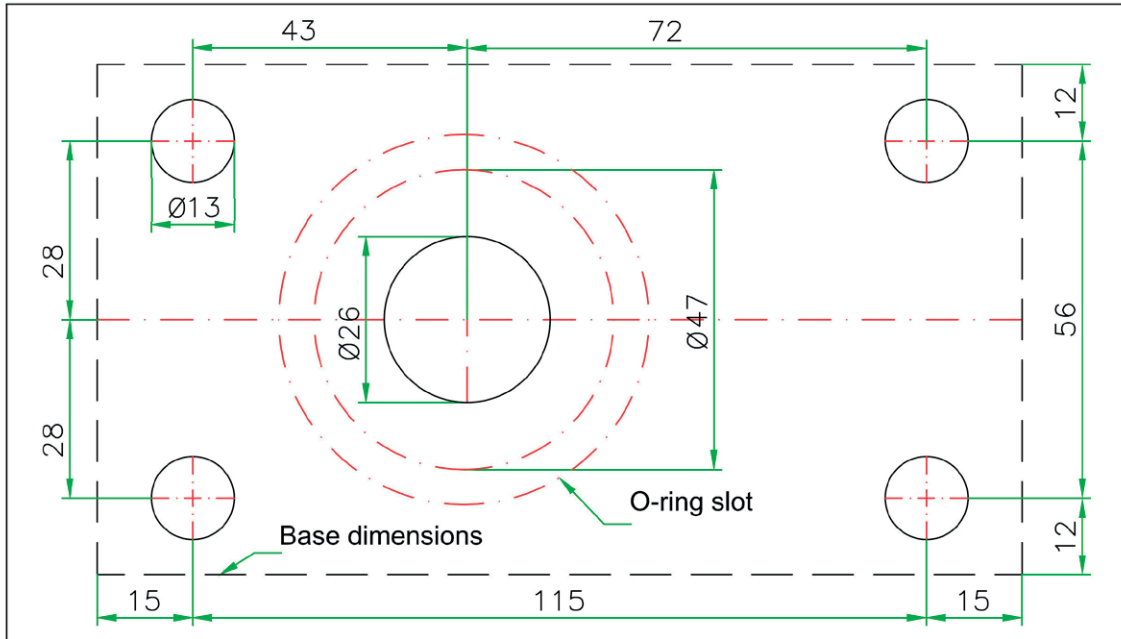
BRGD-R

POLOMARCONI.IT

POLOMARCONI offers a very wide range of wireless products.
Our products can be tailored according to the customer's need.

TRANSPORT

DRILLING MASK



All dimensions are in mm