



DUALBAND GSM/R - GPS ANTENNA

876 ÷ 960 and 1575.42 MHz

BGLD-R

POLOMARCONI.IT

POLOMARCONI offers a very wide range of wireless products. Our products can be tailored according to the customer's need.

TRANSPORT

Electrical Specifications

Frequency band (MHz)	876 ÷ 960
Impedance (Ω)	50
VSWR	< 1.7
Max rated power (W)	30
Polarization	vertical
Gain (dBi)	> 2.5

SATELLITE NAVIGATION AND GEOLOCALIZATION BAND

Frequency band (MHz)	1574.42 ÷ 1576.42
Impedance (Ω)	50
Polarization	Right Hand Circular Polarization (RHCP)
Gain (dBic)	≥ 25 (typical 27), @ $T_0=25^\circ\text{C}$, $V_{DC}=5\text{V}$
Noise Figure (dB)	≤ 2.5 , @ $T_0=25^\circ\text{C}$, $V_{DC}=5\text{V}$
Operating supply voltage (V_{DC})	3.0 ÷ 7.0
Current consumption (mA)	≤ 35 , @ $T_0=25^\circ\text{C}$, $V_{DC}=5\text{V}$
Satellite navigation and geolocalization supported systems	GPS

Mechanical Specifications

Connectors	N female for GSM/R TNC female for GPS (SMA female for 3V model)
Dimensions (mm)	140x80x145
Total weight (kg)	0.5
Materials	base Aluminium with SURTEC 650 treatment radome High impact polycarbonate connectors Silver plated brass
Mounting	on metallic surface (600x600 mm minimum)

Environmental Specifications

ATMOSPHERIC and CLIMATIC CONDITIONS according to NF EN 60068

Operating Temperature ($^\circ$)	-40 ÷ +70
Storage Temperature ($^\circ$)	-40 ÷ +70

MECHANICAL CONDITIONS according to EN 50155:2017 and EN 61373

EMC according to EN 50121-3-2

HIGH VOLTAGE PROTECTION according to EN 50124-1

HIGH CURRENT PROTECTION according to EN50153, UIC 758, UIC 533, EN 50388 and EN 50123

Short-circuit currents flow/time before breaking	15 kA / 100 ms (AC) 40 kA / 100 ms (DC)
--	--

FLAMMABILITY RATING according to EN 45545-2:2013+A1:2015

IP 67

RoHS 2011/65/EU compliant



Patent n° 1548873

Antenna for train with protective means against high voltages.

Patent has been used by SNCF and by the most important producers of trains.



MOUNTING FLANGE

Mounting: on a conductive surface with a minimum size of 600x600 mm; it's advisable to keep the mounting surface clean for a better electrical contact.

BGLD 4 holes flange; see mounting flange B.

BGLD-3V 3 screws flange: flange with 3 screws included, according to FEDERTRASPORTI 00104/5; see mounting flange C.

Grounding and high voltage protection: Our antennas have passed the strict SNCF's tests that approved our products as protected against lightning and high-tension voltage thanks to our patented DC and AC grounded system.

Advantage: amplifier included; there is no need of an external low noise GPS amplifier as the internal GPS signal is already amplified

Approved by: SNCF, SNCB, TRENITALIA



DUALBAND GSM/R - GPS ANTENNA

876 ÷ 960 and 1575.42 MHz

BGLD-R

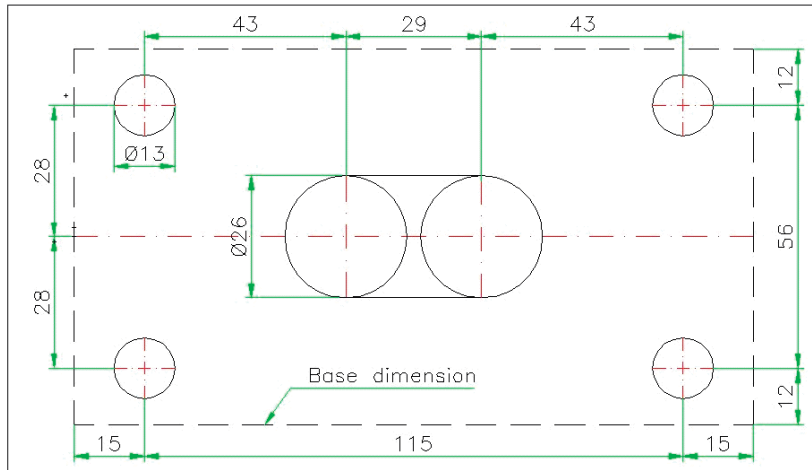
POLOMARCONI.IT

POLOMARCONI offers a very wide range of wireless products. Our products can be tailored according to the customer's need.

TRANSPORT

DRILLING MASK

TYPE B



TYPE C (FEDERTRASPORTI 00104/5)

