



GSM-R SPURIOUS EMISSION SUPPRESSING NO RECIPROCAL FILTER

876 ÷ 880 MHz, 921 ÷ 925 MHz

91500121

POLOMARCONI.IT



POLOMARCONI offers a very wide range of wireless products.
Our products can be tailored according to the customer's need.

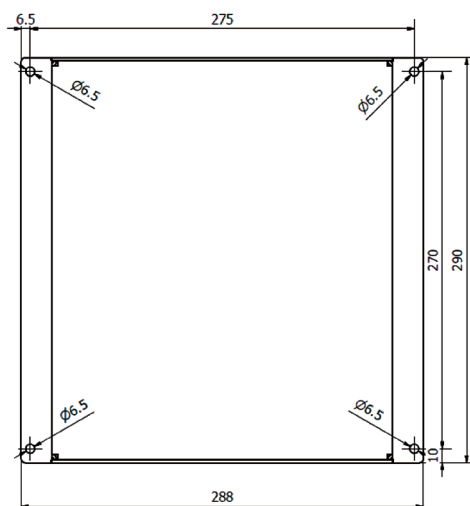
RAILWAYS AND
TRANSPORT



Electrical Specifications

Frequency Band (MHz)	876 ÷ 880 MHz 921 ÷ 925 MHz	
Impedance (Ω)	50	
VSWR	< 2:1	
Continuous Max. Power (W)	30	
Insertion loss (dB)	5	
PORT1PORT2 GSM-R up-link 876 – 880 MHz	4	
PORT2 PORT1 GSM-R down-link 921 – 925 MHz	5	
PORT 1PORT2 GSM-R up-link	876 – 880 MHz	minimum rejection of 45 dB between 921 – 925 MHz for temperature range from -10 C° to +85 C° minimum rejection of 41 dB between 921 – 925 MHz for temperature range from -40 C° to -10 C°
PORT 2PORT1 GSM-R down-link	921 – 925 MHz	typical rejection of 25 dB (minimum 23.5 dB) between 876 - 880 MHz for temperature range from -10 C° to + 85 C° typical rejection of 23 dB (minimum 21.5 dB) between 876 - 880 MHz for temperature range from -40 C° to -10 C°

Mounting Flange



Mechanical Specifications

Type of connection	N female
Dimensions (mm)	290x288x86.7
Total weight (kg)	2.5
Operation Temp. Range (°C)	-40° to +85°

BY



Made in Italy. We reserve the right to modify these data without any notice.

91500121-DS REV. 01 - 28/10/2015