



# MULTI BAND VHF-UHF-4G INDOOR ANTENNA

166 ÷ 174 MHz, 380 ÷ 470 MHz, 870 ÷ 960 MHz, 1710 ÷ 2700 MHz

17400014/B

POLOMARCONI.IT

POLOMARCONI offers a very wide range of wireless products. Our products can be tailored according to the customer's need.

PMR

## Electrical Specifications

### VHF BAND

Frequency range (MHz)	166 ÷ 174
Input impedance (Ω)	50
VSWR	≤ 3.0:1
Polarization	vertical
Gain (dBi)	≥ 0

### UHF BAND

Frequency range (MHz)	380 ÷ 470
Input impedance (Ω)	50
VSWR	≤ 2.7:1
Polarization	vertical
Gain (dBi)	≥ 0

### 4G BANDS

Frequency range (MHz)	870 ÷ 960 1710 ÷ 2700
Input impedance (Ω)	50
VSWR	≤ 2.5:1
Polarization	vertical
Gain (dBi)	≥ 2
Maximum rated RF composite power (W) for 4G bands	20
Maximum rated RF composite power total (W)	50
Operating Temp. Range (°C)	-40 ÷ + 70



## Mechanical Specifications

Connector	Nf
Dimensions (mm) (Height x Base diameter of the antenna without brackets)	191 x 386
Weight (kg)	antenna without brackets abt. 3.70 mounting bracket "A" abt. 0.40 mounting bracket "B" abt. 0.26
Materials	antenna base aluminum with SURTEC 650 galvanic treatment antenna radome polycarbonate Bayer Makrolon 6265 X
Flame retardance	UL94-V0

NOTE: The above indicated mounting brackets are all included in the antenna mounting KIT.



# MULTI BAND VHF-UHF-4G INDOOR ANTENNA

166 ÷ 174 MHz, 380 ÷ 470 MHz, 870 ÷ 960 MHz, 1710 ÷ 2700 MHz

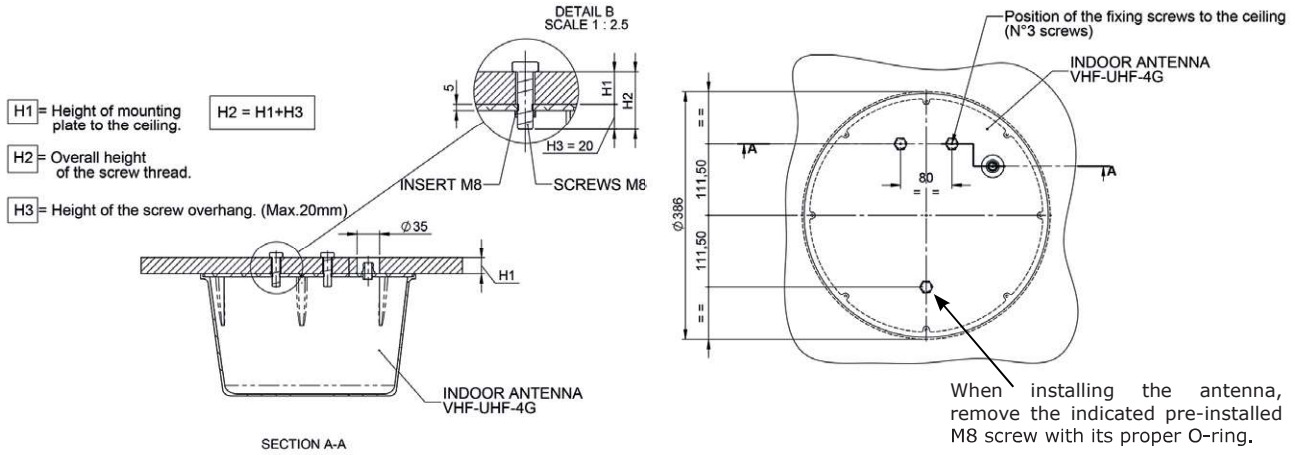
17400014/B

POLOMARCONI.IT

POLOMARCONI offers a very wide range of wireless products. Our products can be tailored according to the customer's need.

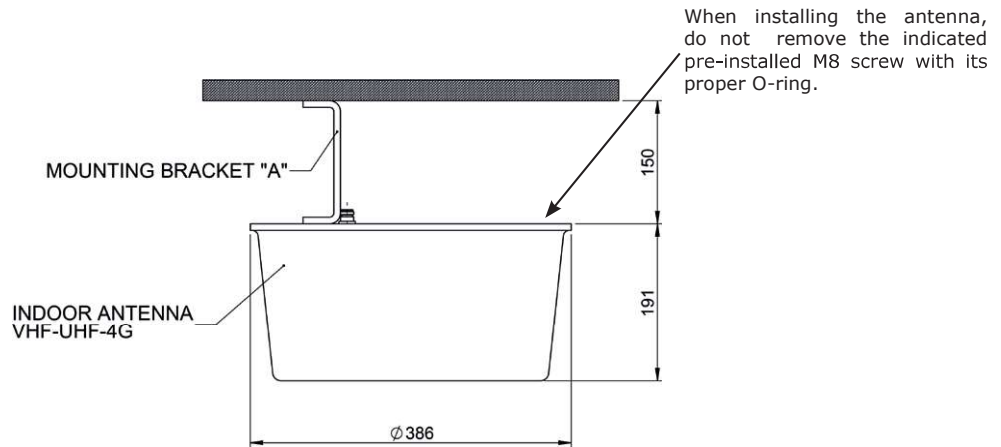
PMR

## MOUNTING OPTIONS: TOP MOUNTING



All dimensions are in mm.

### TOP MOUNTING OPTION 1



All dimensions are in mm.

### TOP MOUNTING OPTION 2



# MULTI BAND VHF-UHF-4G INDOOR ANTENNA

166 ÷ 174 MHz, 380 ÷ 470 MHz, 870 ÷ 960 MHz, 1710 ÷ 2700 MHz

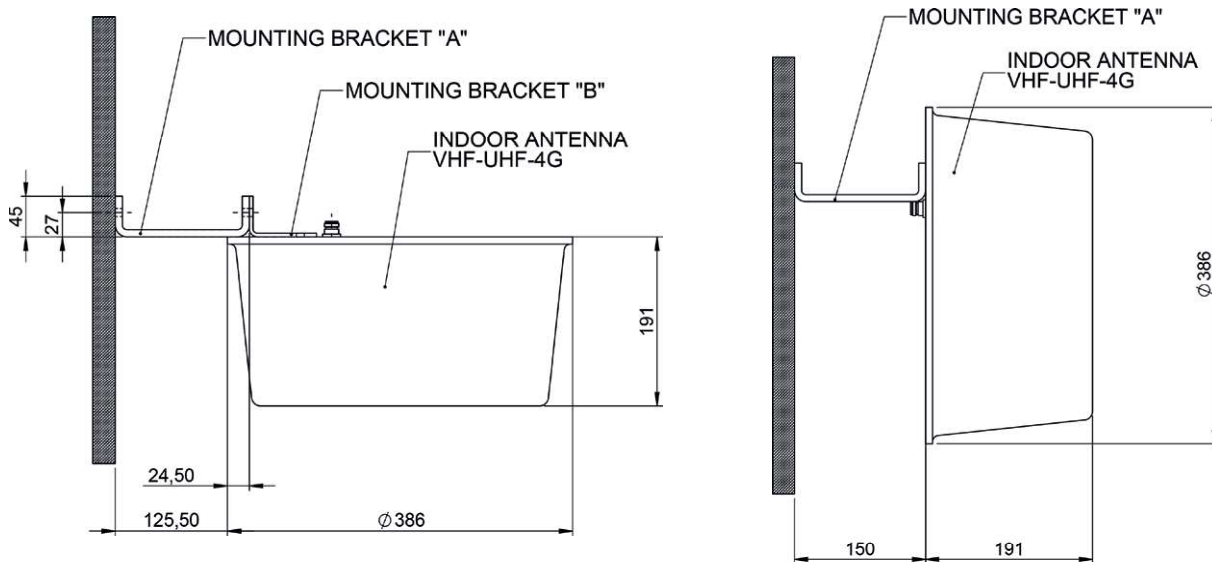
17400014/B

POLOMARCONI.IT

POLOMARCONI offers a very wide range of wireless products. Our products can be tailored according to the customer's need.

PMR

## MOUNTING OPTIONS: LATERAL MOUNTING



All dimensions are in mm.

### LATERAL MOUNTING OPTION 1

### LATERAL MOUNTING OPTION 2

In order to maintain the maximum electromagnetic performances, it is strongly recommended to avoid any direct conductive contact between the antenna metallic base and any other metallic object in the nearby; otherwise possible antenna de-tuning effects could occur in particular for VHF and UHF frequency bands.

For the same aim, when mounting the Indoor Antenna VHF-UHF-4G it is strongly recommended to keep a minimum distance, in any direction, of 150 mm between any possible metallic object, placed in the close proximity of the antenna, and any surface of the antenna itself, considering both the metallic base and the covering plastic surfaces (the only exception is indicated in the LATERAL MOUNTING OPTION 1 above, where the only lateral distance could be 125.5 mm, while the minimum recommended distance in all the other directions is still 150 mm between any other surface of the antenna itself, considering both the metallic base and covering plastic surfaces, and any possible metallic object, placed in the close proximity of the antenna).