



MONOBAND OMNI DIRECTIONAL CEILING MOUNTING UHF ANTENNA

450 ÷ 490 MHz

14300280
SF 470

POLOMARCONI.IT



POLOMARCONI offers a very wide range of wireless products.
Our products can be tailored according to the customer's need.

PMR

Electrical Specifications

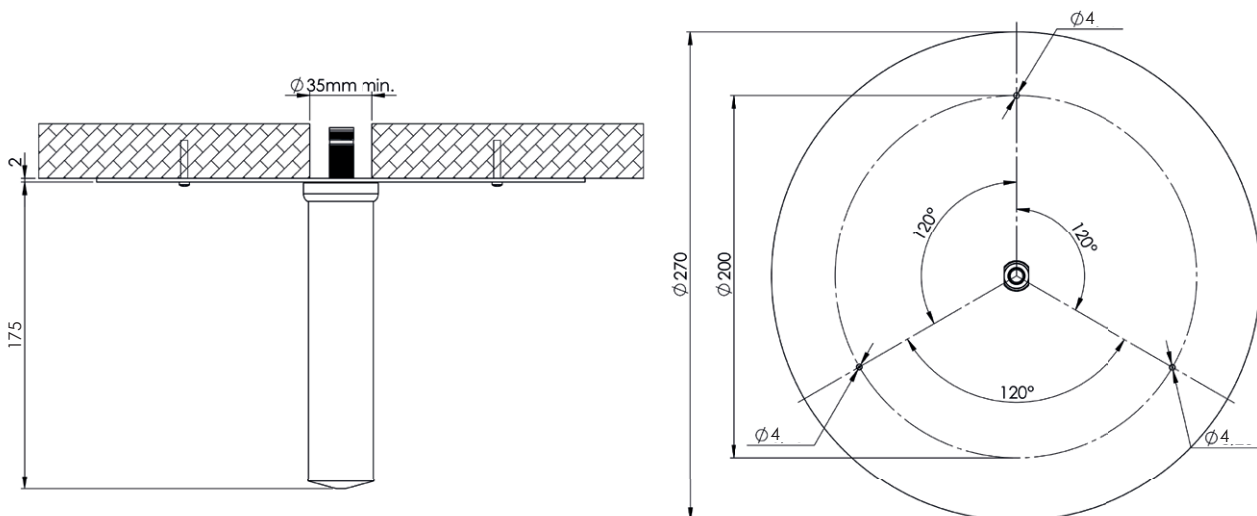
Frequency band (MHz)	450 ÷ 490
Impedance (Ω)	50
VSWR	$\leq 2.5:1$
Continuous Max. Power (W)	50
Polarization	vertical
Gain (dBi)	1
Operation Temp. Range ($^{\circ}\text{C}$)	$-40^{\circ} \div +65^{\circ}$



Mechanical Specifications

Connector	N f
Dimensions (mm)	
base diameter	270
height from installation surface	177
Weight (kg)	abt. 0.6
Color	white
Mounting	ceiling

Dimensions (mm)



BY



Made in Italy. We reserve the right to modify these data without any notice.

1 / 2

14300280-DS REV. 00 - 19/07/2017



MONOBAND OMNI DIRECTIONAL CEILING MOUNTING UHF ANTENNA

450 ÷ 490 MHz

14300280
SF 470

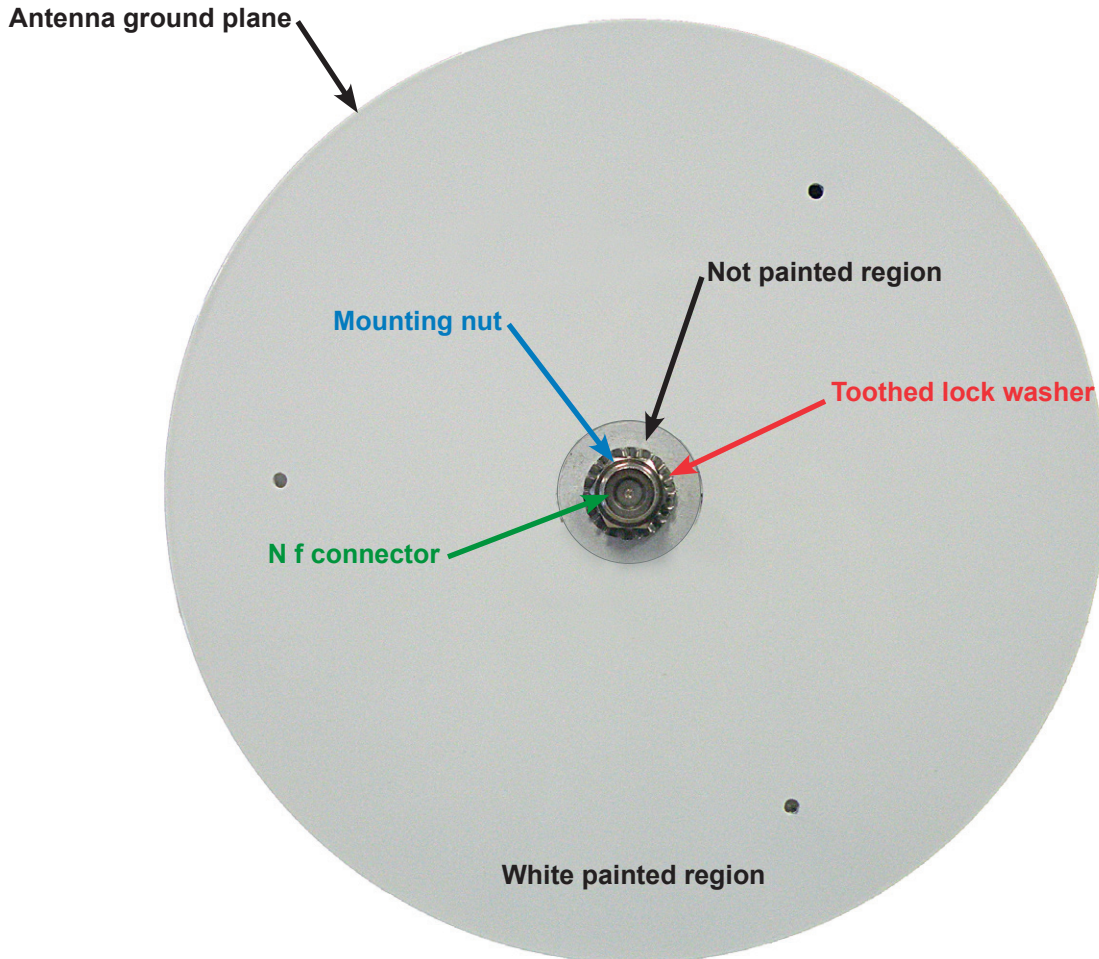
POLOMARCONI.IT



POLOMARCONI offers a very wide range of wireless products.
Our products can be tailored according to the customer's need.

PMR

Mounting Instructions



IMPORTANT: The antenna needs to be installed as indicated in the picture above.
The mounting nut and toothed lock washer **need to be fixed to the N f connector thread in the not painted region** in order to obtain an optimal electrical contact between the antenna base, the antenna ground plane and the external conductor of the N f connector.