



UHF VEHICULAR ANTENNA

400 ÷ 470 MHz

14127010

LTU2

POLOMARCONI.IT



POLOMARCONI offers a very wide range of wireless products. Our products can be tailored according to the customer's need.

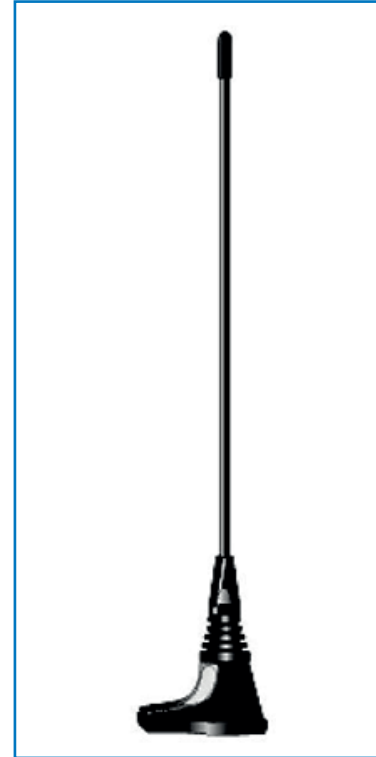
PMR

Electrical Specifications

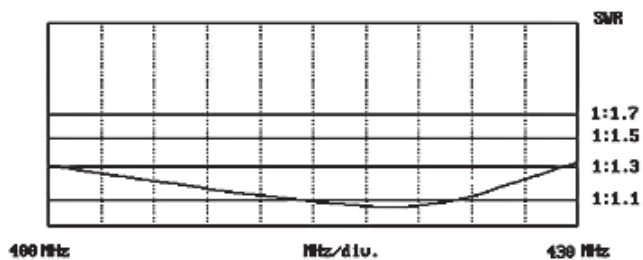
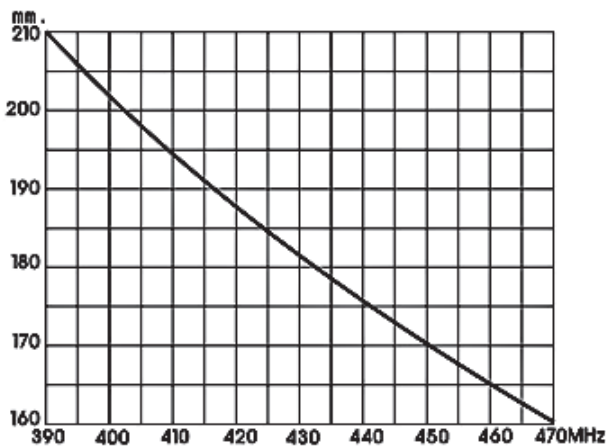
Type	1/4 λ
Frequency band (MHz)	400 ÷ 470
Impedance (Ω)	50
VSWR	< 1.5:1
Continuous Max. Power (W)	100
Polarization	vertical
Gain (dBd)	0
Operation Temp. Range ($^{\circ}\text{C}$)	-35° ÷ +80°

Mechanical Specifications

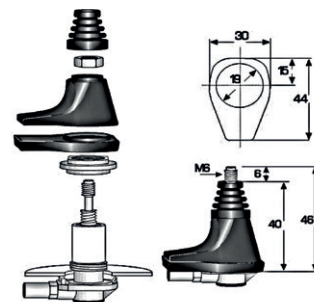
Supplied cable	4.5m of RG 58 without connector
Total length (mm)	205
Whip	Black Inox Steel
Base	Waterproof "LT" mount
Mounting hole diameter (mm)	\varnothing 19 mm



Cutting Diagram and VSWR



Mounting Instructions



BY



Made in Italy. We reserve the right to modify these data without any notice.